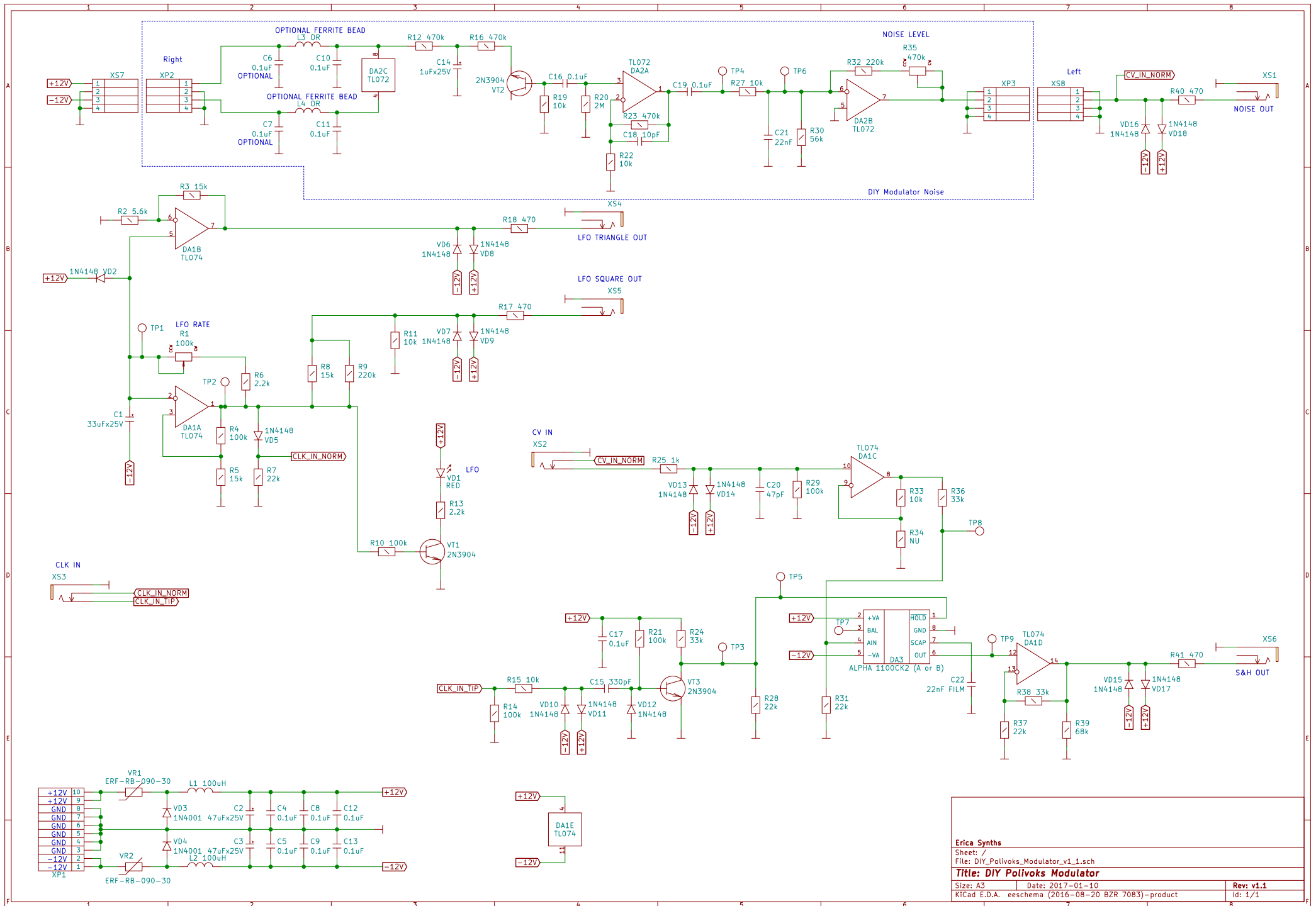


<b>Erica Synths</b>	
Sheet: /	
File: DIY_Acid_Noise_v1_0.sch	
<b>Title: DIY Acid Noise</b>	
Size: A4	Date: 2017-01-02
KiCad E.D.A. eeschema (2016-08-20 BZR 7083)-product	<b>Rev: v1.0</b>
	Id: 1/1

DIY Acid Noise



Erica Synths		
Sheet: /		
File: DIY_Polivoks_Modulator_v1_1.sch		
<b>Title: DIY Polivoks Modulator</b>		
Size: A3	Date: 2017-01-10	Rev: v1.1
KiCad E.D.A. eschema (2016-08-20 BZR 7083)-product		Id: 1/1